

PANEL TRACK

Genesis

Manh Truc[®]

MAN TRU




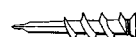

INSTALLATION INSTRUCTIONS

Thank you for purchasing Lafayette's Panel Track system. With proper installation and care, your new shades will provide many years of beauty and performance.

Tools and Fasteners Needed

- Power Drill, 1/4" Driver and drill bits
- Tape Measure
- Flat blade Screwdriver
- Phillips Screwdriver
- Pencil
- Level



Mounting Surface	Fastener	
Wood	#6 Hex Head Provided	
Drywall, Plaster	Wall Anchors Not Provided	
Metal	Sheet Metal Not Provided	

Shade Width	Brackets Required
Up to - 52 1/4"	2
52 3/16" - 72 1/4"	3
72 5/16" - 104 1/4"	4
104 5/16" - 130 1/4"	5
130 5/16" - 144 1/4"	6
144 5/16" - 182 1/4"	7
182 5/16" - 192"	8

Remove shade from the package. Keep all packaging material until the shade is installed and working to your satisfaction. All bracket mounting screws must screw into wood. If the installation requires mounting the brackets to a surface other than wood, be sure to use the appropriate fastener.

BRACKET ATTACHMENT

Inside mount

The swivel brackets must be located 4" in from the ends of the track. For the two and three channel track, you must have a minimum of 1 3/4" of space from the center of the hole in the bracket and the window. The four and five channel tracks require a minimum of 2 3/8" space from the center of the hole to the window. Be sure to allow for window cranks or T-Handles. The minimum distance will ensure the panels have enough room to open and close.

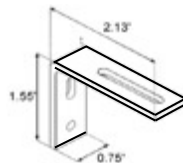
- Measure 4" in from each end and mark for the bracket. Use a level to make sure brackets are in a straight line.
- If more than two brackets are required, evenly space and mark for the rest of the brackets.
- Attach the swivel brackets with the screws provided.
- If installing a valance inside the window, you must attach the valance to the headrail before attaching the track to the brackets. Once the headrail is installed you will be unable to attach the valance. (**See valance instructions**)

Outside Mount

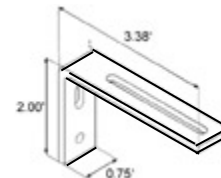
- Locate the position of the headrail over the window. Mark the location of the ends of the headrail on the wall.
- Attach the extension brackets to the wall 4" in from the ends of the headrail making sure the brackets are level.
- If more than two brackets are required, evenly space and mark for the rest of the brackets.
- Attach the swivel brackets to the extension brackets with pan head nut and bolt.



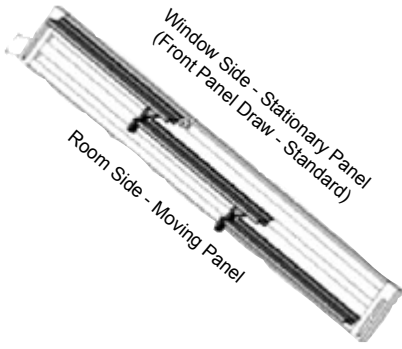
Swivel Bracket



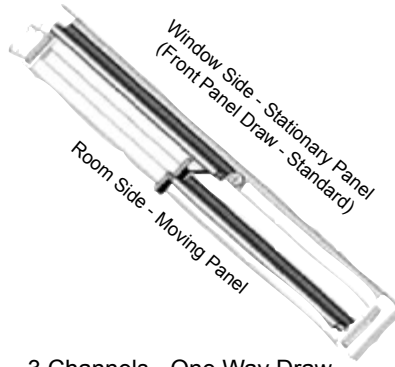
Short Extension Bracket



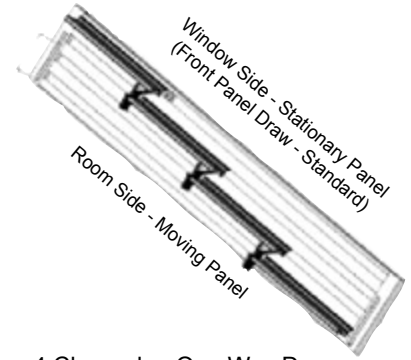
Long Extension Bracket



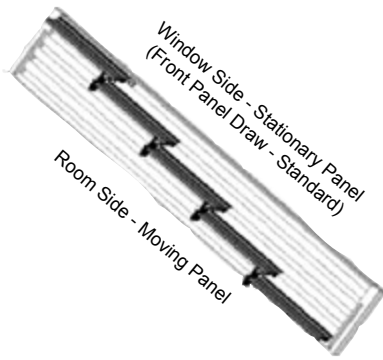
2 Channels - One Way Draw
2 Panels



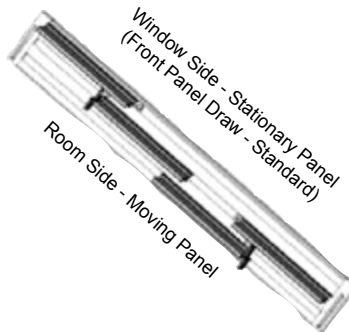
3 Channels - One Way Draw
3 Panels



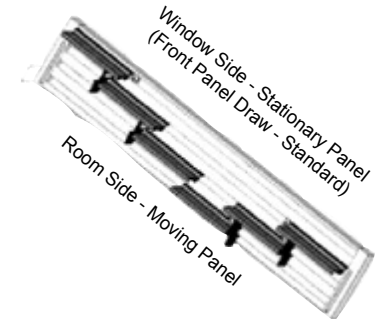
4 Channels - One Way Draw
4 Panels



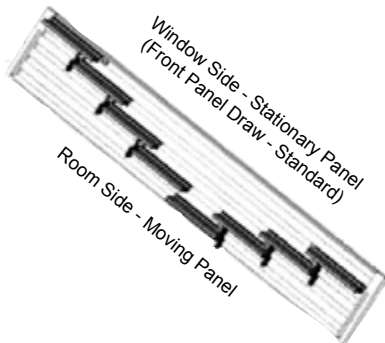
5 Channels - One Way Draw
5 Panels



3 Channels - Split Draw
4 Panels



4 Channels - Split Draw
6 Panels



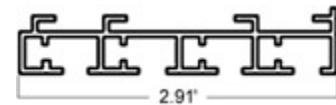
5 Channels - Split Draw
8 Panels



2 Channels



3 Channels



4 Channels



5 Channels

Track Height: 5/8"
Track Depth Required for Installation

<u>Track Type</u>	<u>Minimum Depth</u>	<u>Track Width</u>	<u>Flush Depth</u>
2 Channels	2"	1 1/2"	2 1/4"
3 Channels	2	2 1/4"	3"
4 Channels	2 3/4"	3"	3 3/4"
5 Channels	2 3/4"	3 3/4"	4 1/4"

INSTALL THE HEADRAIL

- Rotate the swivel brackets to the open position. Swivel bracket attached to extension bracket shown below. (fig 1)
- Raise the headrail to the brackets, you may have to adjust the swivels to receive the track. (fig 2 & 3)
- Once the headrail is in position, rotate the swivel bracket to the closed position. (fig 2 & 3)
- If the headrail requires more than one bracket, starting as close to the center as possible will make the installation easier.

Fig 1



Open Position

Fig 2



Closed Position

Fig 3



Closed Position

ATTACHING THE PANELS

- Pull forward on the bottom of the front panel carrier and pushing back on the bottom of the back panel carrier, slide the back carrier from behind the front carrier. Repeat this for step for all of the panels on the headrail. (fig 4)
- Align the velcro strip at the top of the panel with the velcro strip on the face of the panel carrier. Beginning at one end, press the velcro strips together across the panel carrier. (fig 5)
- Be sure to go back and press the velcro to secure the attachment. (Fig 6) Repeat this step until all the panels are attached to the headrail.
- After all the panels have been installed, return the carriers to their original position. (fig 7)
- When completed the panels should have overlaps as in (fig 8).
- **Note: Due to the weight, Manh Truc panels must be secured to the panel carrier.** 3/8" Flat Phillips screws and square nuts are included. Attach screws through the grommets in the top of the panel and secure with square nut.

Fig 4



Fig 5



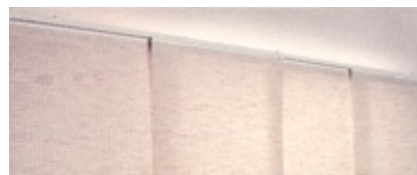
Fig 6



Fig 7



Fig 8



VALANCE INSTALLATION

Majesty and Camelot valances have a profile attached to the back side for easy installation to the headrail. On inside mount installations the valance must be attached before mounting the headrail.

- Line the valance up with the headrail.
- Rotate the valance 45 degrees to the window so that the lip of the profile (fig 9) on the back of the valance (fig 10) slips into the front notch (fig 11) of the headrail (fig 12).
- Rotate the valance towards the room until the profile snaps into the front lip of the headrail.

Fig 9

Fig 10

Fig 11

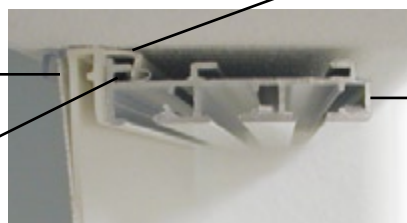
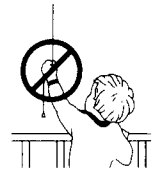


Fig 12

INSTALL THE CORD GUIDE

The cord guide reduces the hazards of strangulation and entanglement of children and pets by limiting the access to the cord control. Anchor the cord guide to the window frame or wall.

- Lower the shade.
- Position the cord guide on the window frame or wall so that the cord guide and control chain do not interfere with raising and lowering the shade. The cord guide should be installed without stretching or pulling down on the control chain. Do not twist or cross the control chain.
- Holding the cord guide upright, and in position as shown, insert and secure the screw through the hole. The mounting screw must be secured into a solid surface or wall fastener.



CARE AND CLEANING

Regular vacuuming with a soft bristle attachment will maintain a like-new appearance for most cloth or woven fabrics. Wiping with cold water and a mild detergent will take care of most vinyl fabrics. Most Interior Masterpieces will need to be dry-cleaned. Refer to label on fabric sample swatch.

